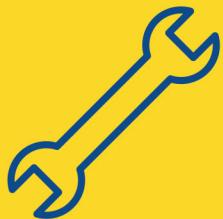


# GENERAL INSTRUCTIONS



For additional technical support visit  
[www.drivparts.com/en-eu/garagegurus.html](http://www.drivparts.com/en-eu/garagegurus.html)



The content contained in this sheet is for informational and promotional purposes only and should not be used in lieu of seeking professional advice from a certified technician or mechanic. We encourage you to consult with a certified technician or mechanic if you have specific questions or concerns relating to any of the topics covered herein. Under no circumstances will we be liable for any loss or damage caused by your reliance on any content.

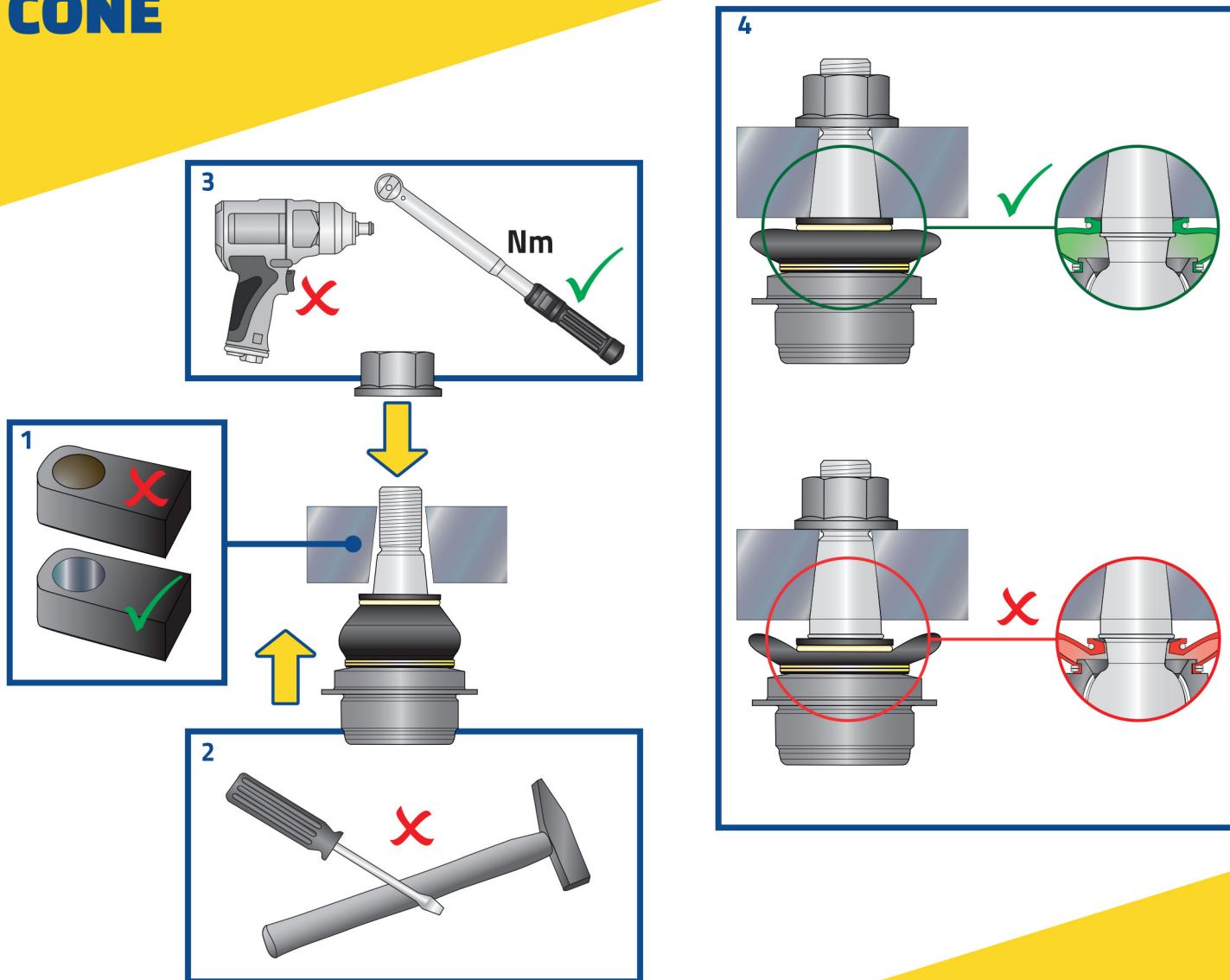
FOLLOW US  

[www.moogparts.eu](http://www.moogparts.eu)



# GENERAL INSTRUCTIONS

## FITTING BJ CONE



For additional technical support visit  
[www.drivparts.com/en-eu/garagegurus.html](http://www.drivparts.com/en-eu/garagegurus.html)



The content contained in this sheet is for informational and promotional purposes only and should not be used in lieu of seeking professional advice from a certified technician or mechanic. We encourage you to consult with a certified technician or mechanic if you have specific questions or concerns relating to any of the topics covered herein. Under no circumstances will we be liable for any loss or damage caused by your reliance on any content.

FOLLOW US  

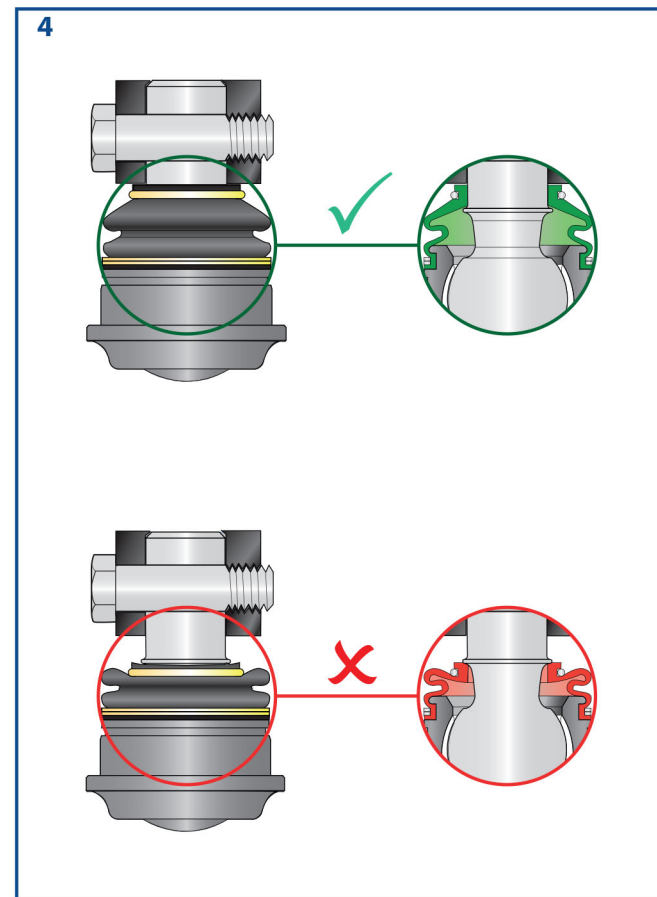
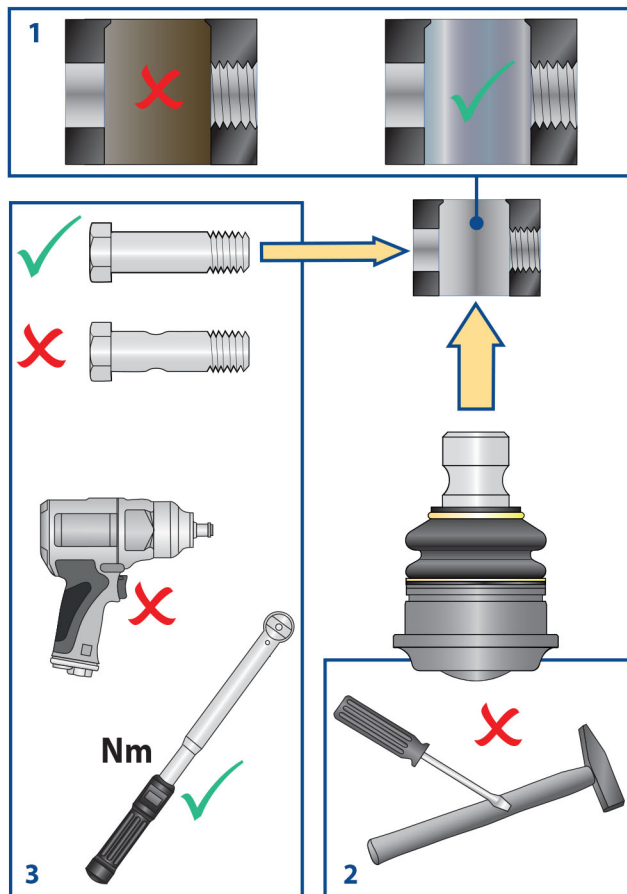
[www.moogparts.eu](http://www.moogparts.eu)

# MOOG

PRMM02137-EN

# GENERAL INSTRUCTIONS

## FITTING BJ NOTCHED



For additional technical support visit  
[www.drivparts.com/en-eu/garagegurus.html](http://www.drivparts.com/en-eu/garagegurus.html)



The content contained in this sheet is for informational and promotional purposes only and should not be used in lieu of seeking professional advice from a certified technician or mechanic. We encourage you to consult with a certified technician or mechanic if you have specific questions or concerns relating to any of the topics covered herein. Under no circumstances will we be liable for any loss or damage caused by your reliance on any content.

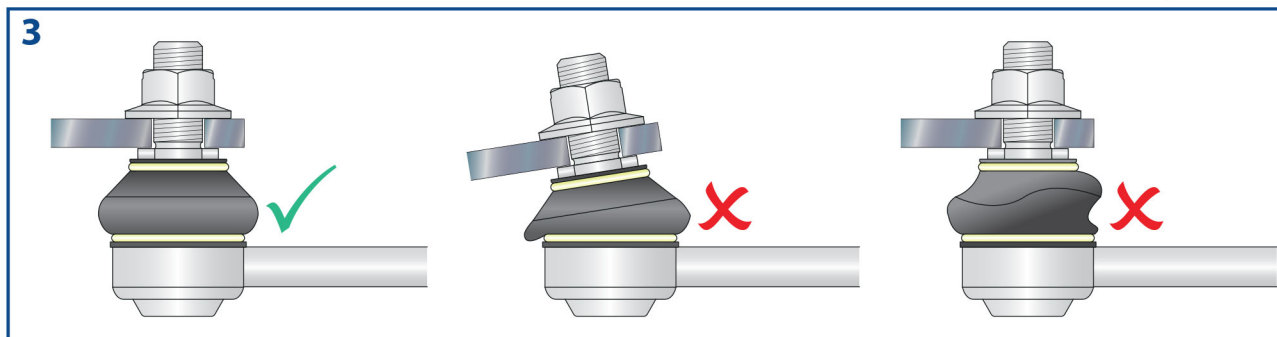
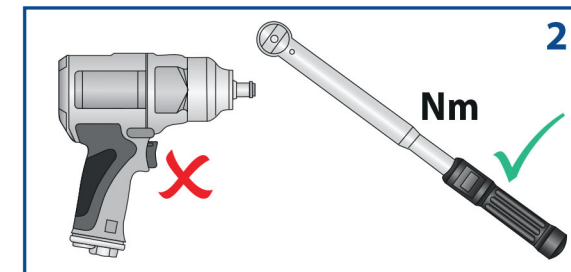
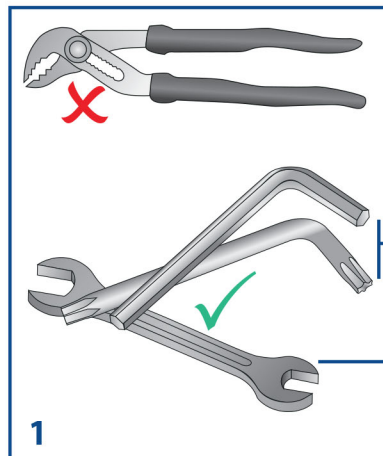
FOLLOW US  

[www.moogparts.eu](http://www.moogparts.eu)

# MOOG

# GENERAL INSTRUCTIONS

## FITTING LINK STABILIZER



For additional technical support visit  
[www.drivparts.com/en-eu/garagegurus.html](http://www.drivparts.com/en-eu/garagegurus.html)



The content contained in this sheet is for informational and promotional purposes only and should not be used in lieu of seeking professional advice from a certified technician or mechanic. We encourage you to consult with a certified technician or mechanic if you have specific questions or concerns relating to any of the topics covered herein. Under no circumstances will we be liable for any loss or damage caused by your reliance on any content.

FOLLOW US  

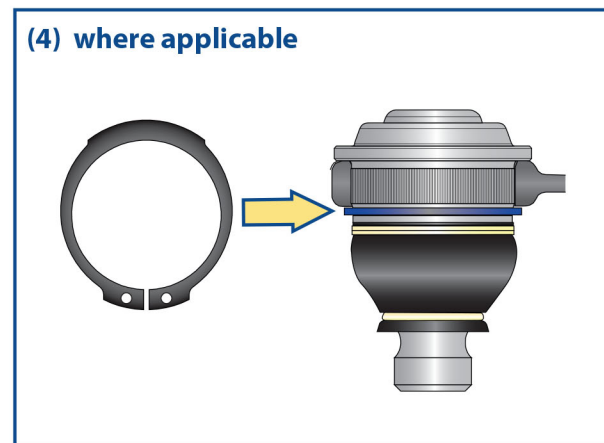
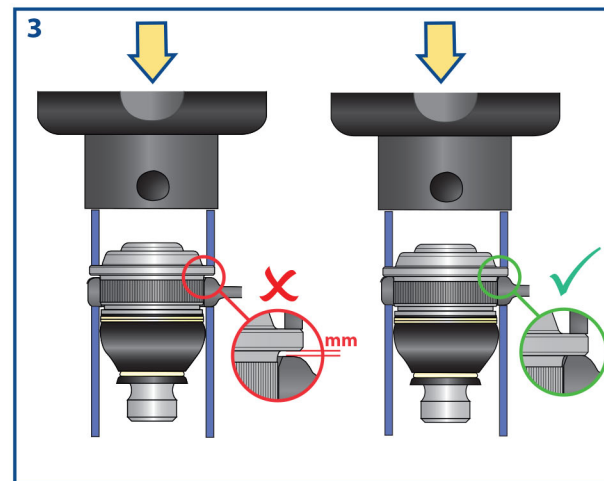
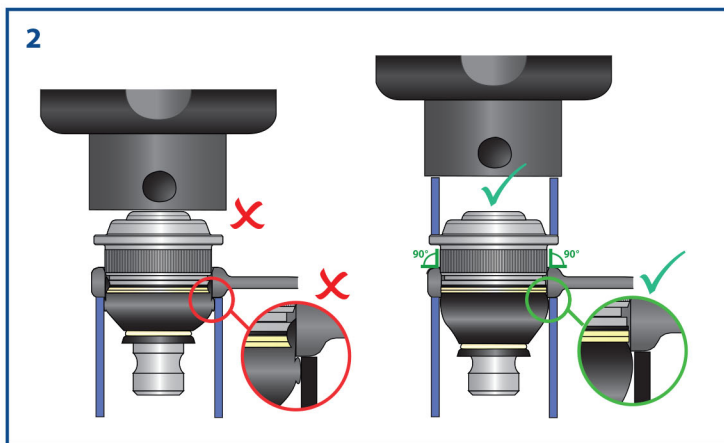
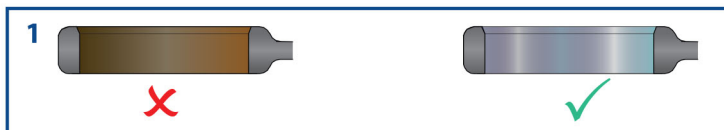
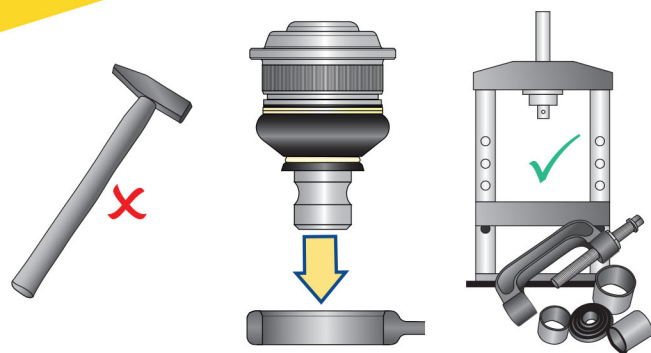
[www.moogparts.eu](http://www.moogparts.eu)

# MOOG

PRMM02139-EN

# GENERAL INSTRUCTIONS

## PRESSING BJ BOTTOM



For additional technical support visit  
[www.drivparts.com/en-eu/garagegurus.html](http://www.drivparts.com/en-eu/garagegurus.html)



The content contained in this sheet is for informational and promotional purposes only and should not be used in lieu of seeking professional advice from a certified technician or mechanic. We encourage you to consult with a certified technician or mechanic if you have specific questions or concerns relating to any of the topics covered herein. Under no circumstances will we be liable for any loss or damage caused by your reliance on any content.

FOLLOW US

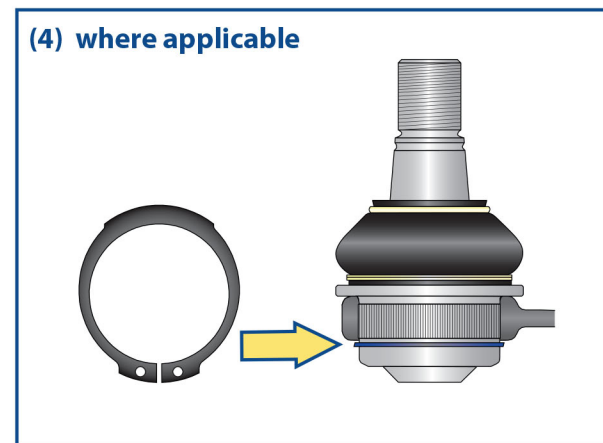
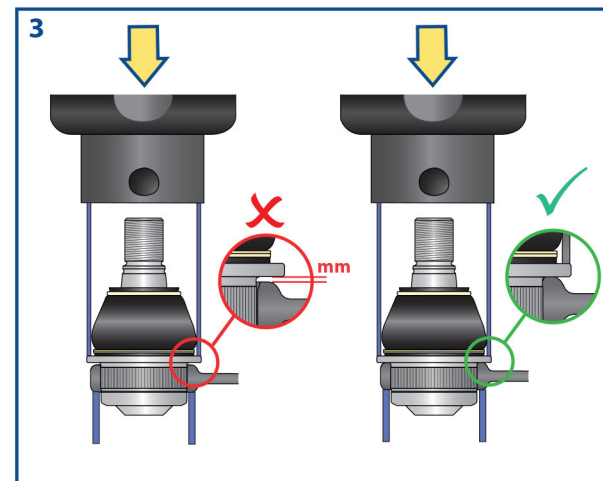
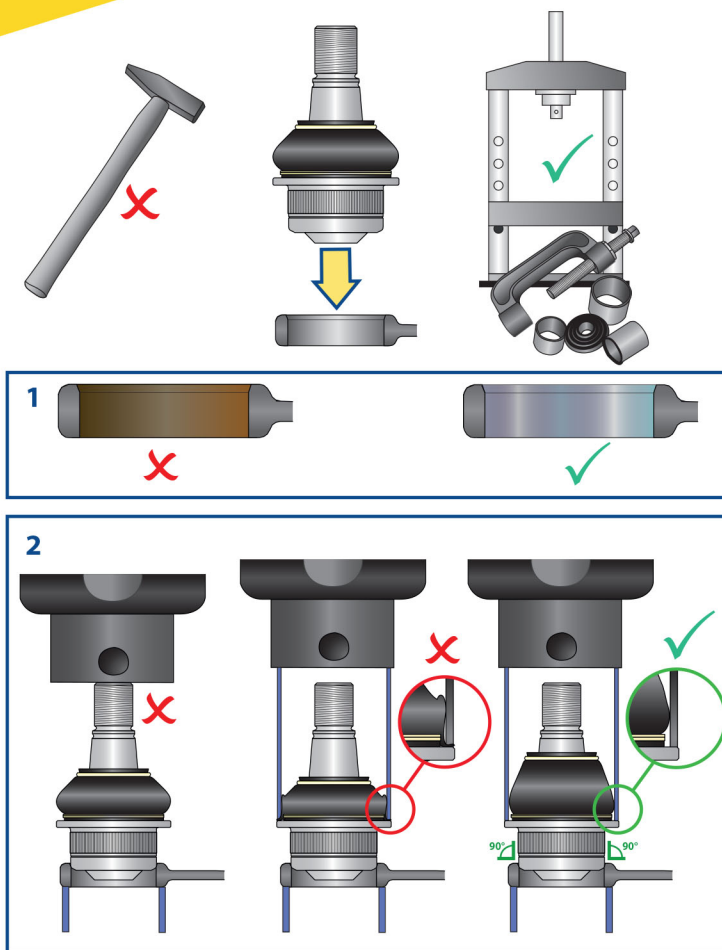
[www.moogparts.eu](http://www.moogparts.eu)



PRMM02140-EN

# GENERAL INSTRUCTIONS

## PRESSING BJ TOP



For additional technical support visit  
[www.drivparts.com/en-eu/garagegurus.html](http://www.drivparts.com/en-eu/garagegurus.html)



The content contained in this sheet is for informational and promotional purposes only and should not be used in lieu of seeking professional advice from a certified technician or mechanic. We encourage you to consult with a certified technician or mechanic if you have specific questions or concerns relating to any of the topics covered herein. Under no circumstances will we be liable for any loss or damage caused by your reliance on any content.

FOLLOW US  

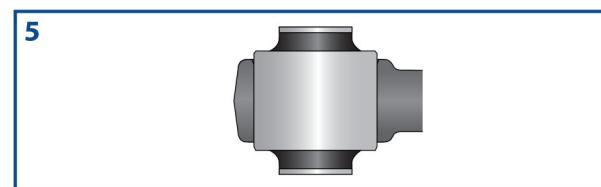
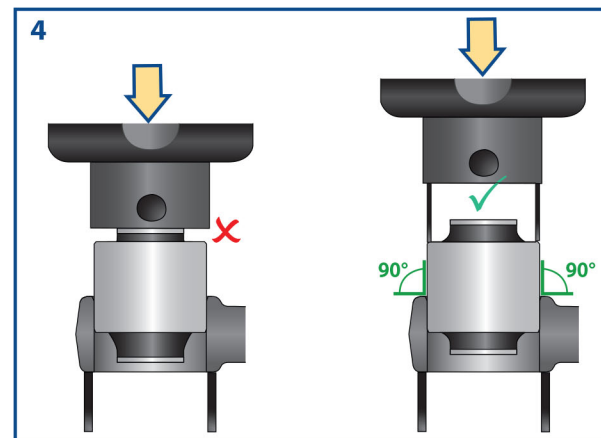
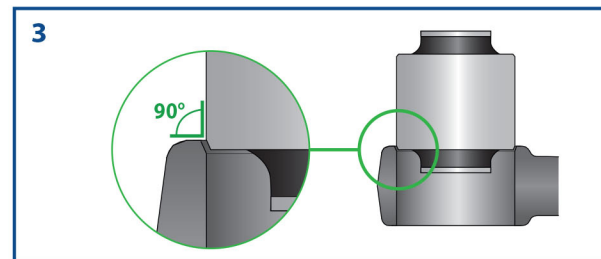
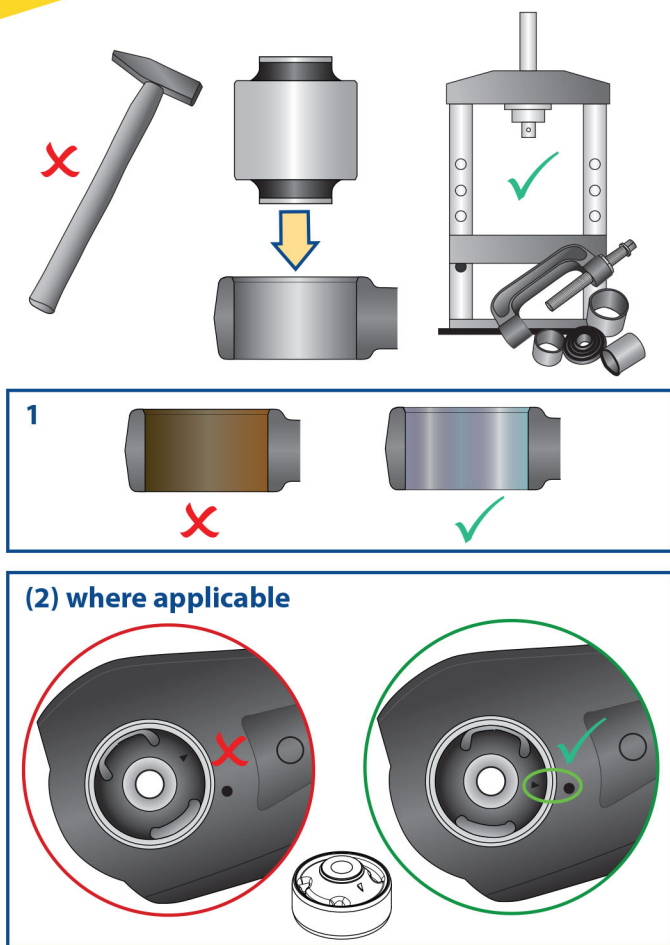
[www.moogparts.eu](http://www.moogparts.eu)

**MOOG**

PRMM02141-EN

# GENERAL INSTRUCTIONS

## PRESSING BUSHES



For additional technical support visit  
[www.drivparts.com/en-eu/garagegurus.html](http://www.drivparts.com/en-eu/garagegurus.html)



The content contained in this sheet is for informational and promotional purposes only and should not be used in lieu of seeking professional advice from a certified technician or mechanic. We encourage you to consult with a certified technician or mechanic if you have specific questions or concerns relating to any of the topics covered herein. Under no circumstances will we be liable for any loss or damage caused by your reliance on any content.

FOLLOW US  

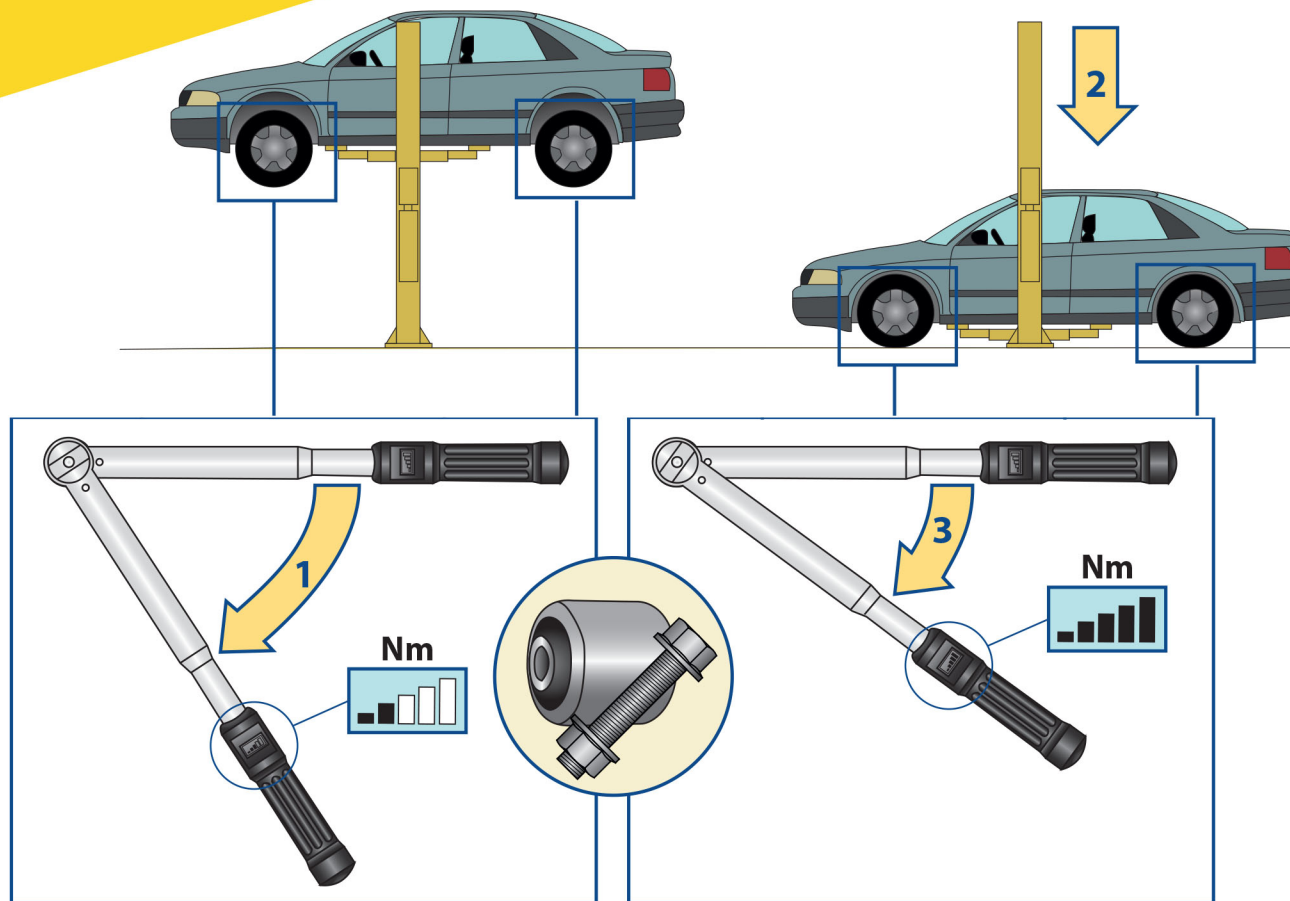
[www.moogparts.eu](http://www.moogparts.eu)

# MOOG

PRMM02142-EN

# GENERAL INSTRUCTIONS

## TIGHTEN NEUTRAL POSITION



For additional technical support visit  
[www.drivparts.com/en-eu/garagegurus.html](http://www.drivparts.com/en-eu/garagegurus.html)



The content contained in this sheet is for informational and promotional purposes only and should not be used in lieu of seeking professional advice from a certified technician or mechanic. We encourage you to consult with a certified technician or mechanic if you have specific questions or concerns relating to any of the topics covered herein. Under no circumstances will we be liable for any loss or damage caused by your reliance on any content.

FOLLOW US  

[www.moogparts.eu](http://www.moogparts.eu)

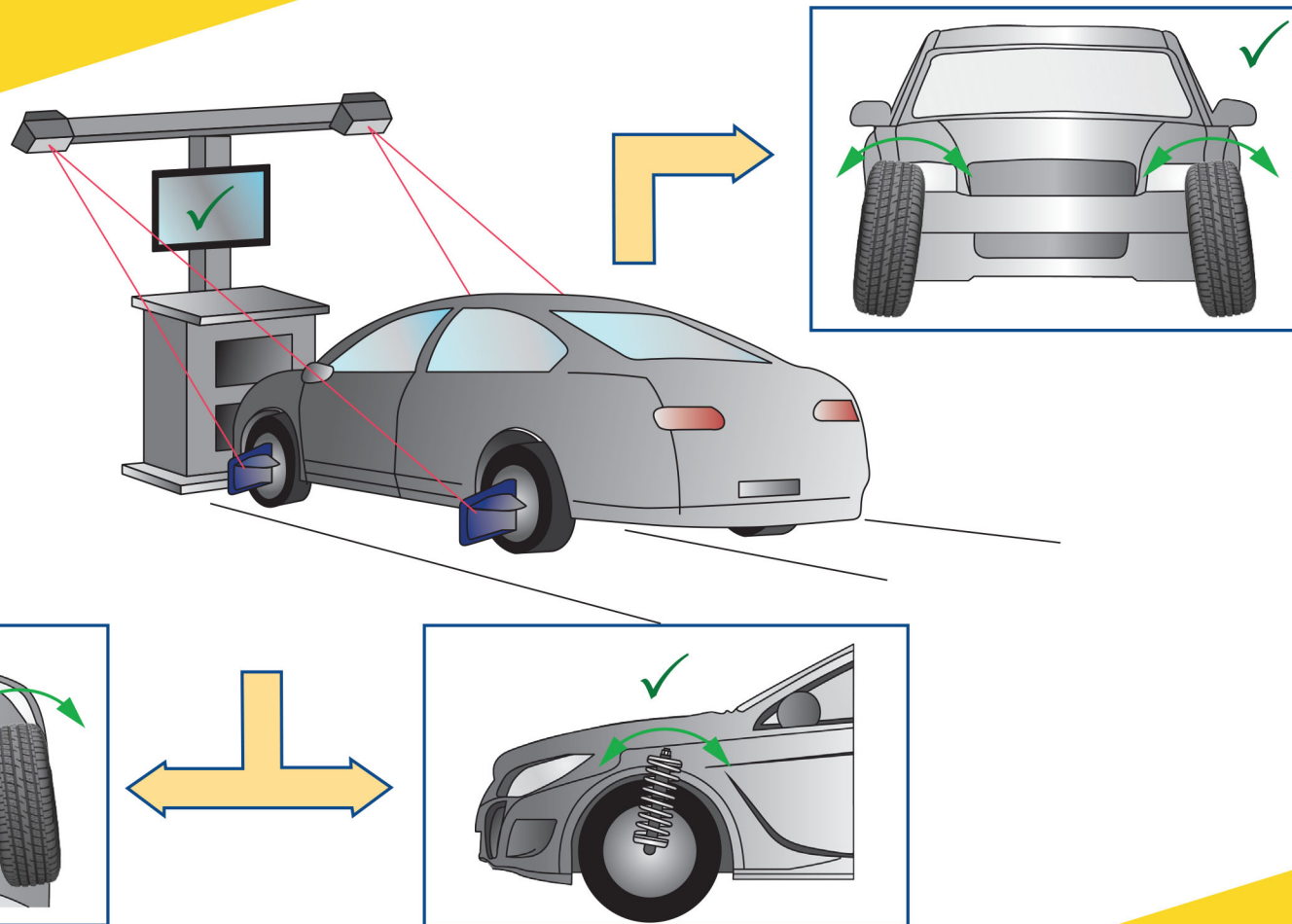
# MOOG

PRMM02143-EN



# GENERAL INSTRUCTIONS

## WHEEL ALIGNMENT



For additional technical support visit  
[www.drivparts.com/en-eu/garagegurus.html](http://www.drivparts.com/en-eu/garagegurus.html)



The content contained in this sheet is for informational and promotional purposes only and should not be used in lieu of seeking professional advice from a certified technician or mechanic. We encourage you to consult with a certified technician or mechanic if you have specific questions or concerns relating to any of the topics covered herein. Under no circumstances will we be liable for any loss or damage caused by your reliance on any content.

FOLLOW US  

[www.moogparts.eu](http://www.moogparts.eu)

**MOOG**

PRMM02144-EN